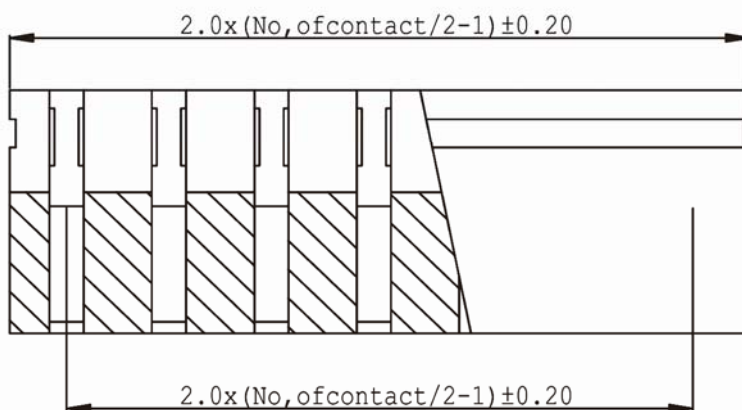
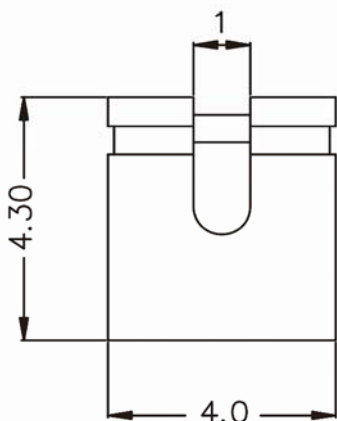
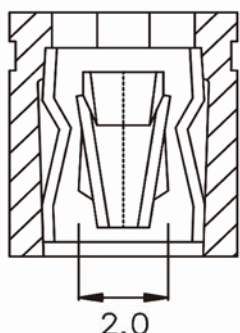


# JUMPER P2.0 H:4.3 多連體 TYPE DUAL ROW 04 TO 20 CONTACTS

## SPECIFICATIONS

CURRENT RATING:2.0A @80°C AMBIENT  
 OPERATING TEMP RANGE: -40°C TO +85°C  
 MAX PROCESSING TEMP:PBT:230°C FOR 10 SECONDS  
 INSULATOR MATERIAL: PBT  
 CONTACT MATERIAL:PHOSPHOR BRONZE  
 PLATING:GOLD FLASH OR OTHER



LC H 0 0 - I X X 2 6 T 0 X 0 - 0 1

