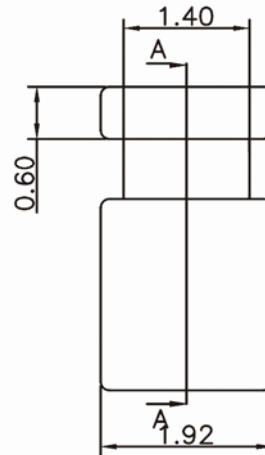
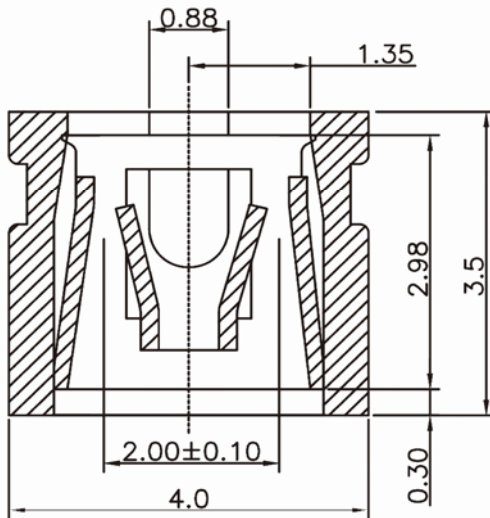
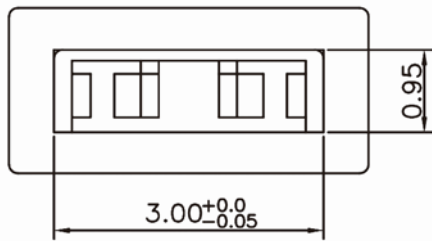


JUMPER P2.0 H:3.5 OPEN TYPE DUAL ROW 02 CONTACTS



SPECIFICATIONS

CURRENT RATING:3.0A @80°C AMBIENT
 OPERATING TEMP RANGE: -40°C TO +85°C
 MAX PROCESSING TEMP:PBT:230°C FOR 10 SECONDS
 INSULATOR MATERIAL: PBT
 CONTACT MATERIAL:PHOSPHER BRONZE
 PLATING:GOLD FLASH OR OTHER



L C H 0 0 - I 0 2 2 6 T 0 X 0 - 0 0

